

PROZET-II

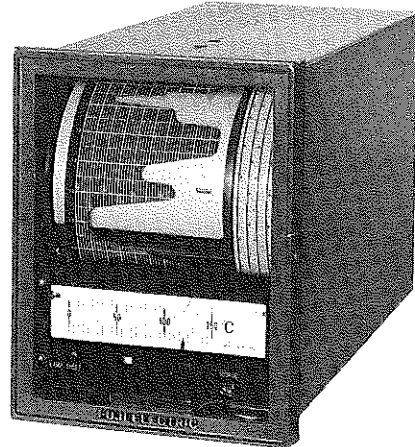
PROGRAM CONTROLLER PROGRAMMER

DATA SHEET

PZN

PROZET-II is a programmer with a set value detecting mechanism, composed of a photoelectric follow-up system program setter and a high reliability non-contact type induction potentiometer. It also functions as a program controller with its built-in 2-position and time proportional ON-OFF action control unit.

Any desired program can be patterned on the programming sheet simply by using a knife. The adoption of 6-channel time signal contacts and quick-feed mechanism permits sequential control of machines.



FEATURES

1. Easy programming

The programming sheet is an opaque scale sheet adhered to a transparent sheet. Programs can be patterned by tracing with a knife along programming curves and then removing one sheet from the other.

2. High reliability induction potentiometer

Non-contact type induction potentiometer assures accurate setting signals.

3. Indicating mechanism for easy observation

The indicating mechanism is provided with an easy-to-read scale, a setting pointer and a deviation indicator interlocked with the setting pointer for easy reading of set values, actual values and control deviations. Indicating lamps are also provided for easy check of the programming sheet and the controller in operation.

4. Sequential operation

The adoption of 6-channel time signal contacts, sheet position signal contacts and external contacts allows a sequential operation for "run", "stop" and "fast-feed". This is essential in the automatic operation of devices.

Setting accuracy:

±1.0% of full scale

Full-scale travel time:

Approx. 15sec.

Sheet length: Effective length..... 480mm

Total length..... 520mm

Sheet drive system:

Synchronous motor driving system

Sheet feed rate: 0.5, 1, 2, 4, 8, 12, 24, 48, 96, 144H /480mm

or 0.5, 1, 2, 4, 8, 12H/480mm

(Feed rate can be changed over by means of gear shift)

Sheet fast feed rate:

Approx. 1mm/sec.

Sheet drive indicator:

Green neon lamp

Sheet scale: Setting scale

Pt 0 to 150°C, Pt -50 to +100°C,

Pt -50 to +150°C, 0 to 100% linear

Time base

Effective length (480mm) is divided into 48 sections (divided at every 2 sections by a bold line)

Sheet position contact:

REAL (effective program position)

and DEAD (ineffective program position)

125V AC, 0.5A, SP.DT-contact

SPECIFICATIONS

☒ Program setter unit

Program follow-up system:

Photoelectric, self-balancing system

Set value detecting system:

Non-contact type induction potentiometer

Scale length: 100mm

Time signal contact :

1 or 6 channels
 200V AC, 1A, "SP.ST" contact.
 "SP.DT" contact is available on request.
 The frequency of time setting per channel and the frequency of ON-OFF can be selected as desired.

Lamp burnout display:

Red light emitting diode

Fixed value setting function:

Available on request.
 Fixed value setting is possible regardless of the program being used.

Input unit

Input signal and input resistance:

Voltage input
 10 to 200mV DC span
 (more than 30kΩ)
 200mV to 30V DC span
 (more than 100kΩ)
 1 to 5V DC (1MΩ)
 Current input
 0.1 to 200mA DC span
 (less than 100Ω)
 4 to 20mA DC (6.25Ω)
 Thermocouple input
 More than 10mV DC span
 (more than 30kΩ)
 Reference junction compensator with upper limit burnout circuit (lower limit burnout circuit is available on request)
 Resistance input
 More than Pt(100Ω) 50°C span, 3-wire system (allowable wiring resistance: 10Ω/wire)

Transfer output signal :

Available on request.
 For Pt(100Ω) input
 0 to 20mV DC/0 to 400°C
 (output resistance: 5.1kΩ)

Control output (Program controller)

Contact output type:

Control action
 Upper or lower limit, 2-position
 Hysteresis width 0.5%
 Upper or lower proportional action
 Proportional band width
 Approx. 2%
 (Adjustable to 0 to 8%)
 Proportional cycle
 Approx. 15sec
 (Approx. 30sec. available on request)
 Contact capacity
 200V AC 3A 1c contact

Current output type:

Output signal; 4 to 20mA DC
 Allowable load resistance; 0 to 600Ω
 Control action; PID
 P ; 0 to 20%
 I ; 0.5 to 20min.
 D ; OFF, 0.5 to 20min
 Controller with output indicator using overshoot protection circuit and LED array is also available.

Setting output (Programmer)

Setting output signal :

1 to 5V DC
 (output resistance: 22Ω)
 (allowable load resistance more than 20kΩ)

Deviation setting output signal :

±20mV DC/±100% deviation
 (output resistance: 33Ω)

Indicator

Setting indication system:

Self-balancing system

Control deviation indicator:

Moving coil type deviation indicator interlocked with setting pointer
 Indication range:
 ±10% of full scale
 Indication allowance:
 ±1% of full scale

Attachment : Deviation meter scale-out indicator

Others

Power supply: 100/200V $\begin{matrix} +10\% \\ -15\% \end{matrix}$ AC, 50 or 60Hz

Power consumption:

Approx. 17VA (controller included)

Ambient temperature:

0 to 50°C

Ambient humidity:

Less than 90%RH
 (storage temp.: -30 to +60°C)

Enclosure: Steel case

Dimensions (H × W × D):

240 × 192 × 370mm

Weight: Approx. 12kg

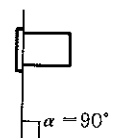
Finish color: Munsell 7.5BG 3.2/0.8 or equivalent

Scope of delivery:

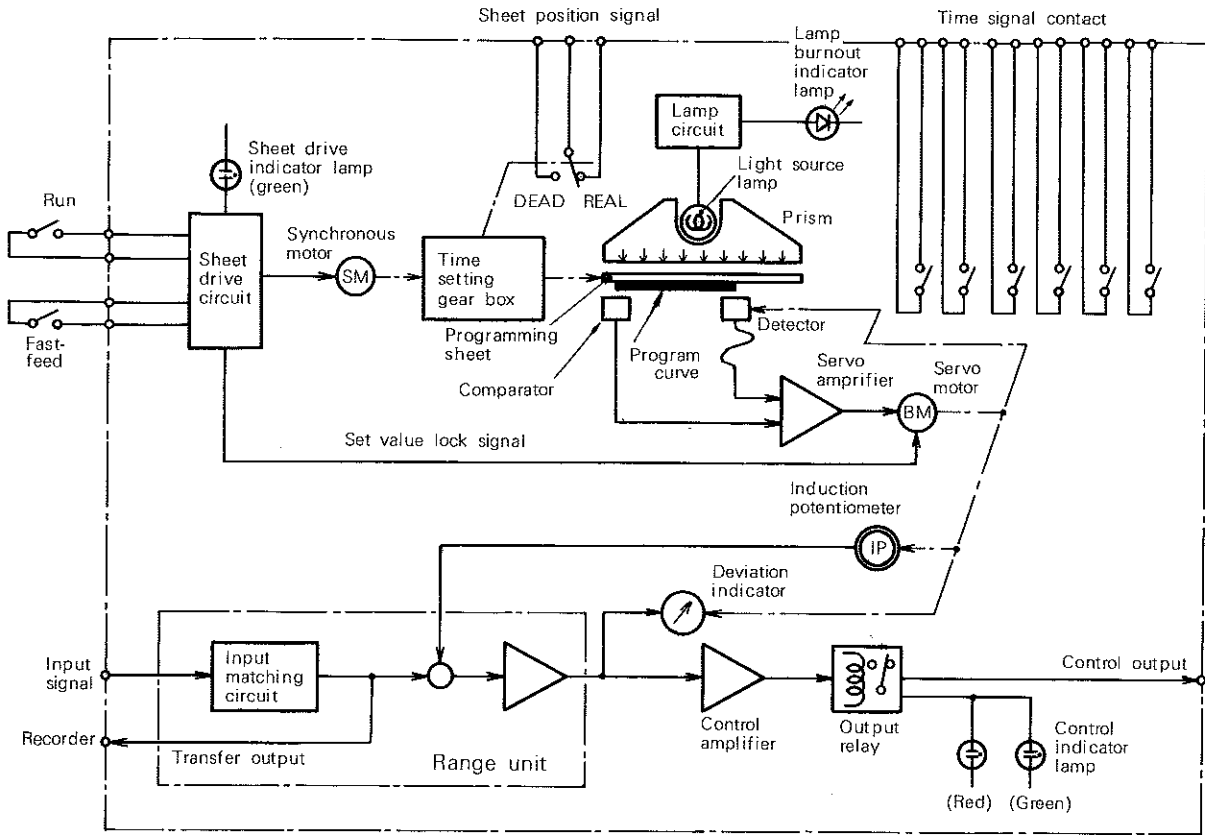
Programmer, mounting brackets, programming sheet × 1, lamp × 2, readout scale (for scales other than Pt 0 to 150°C, Pt -50 to +100°C, Pt -50 to +150°C, and 0 to 100% linear)

Mounting method:

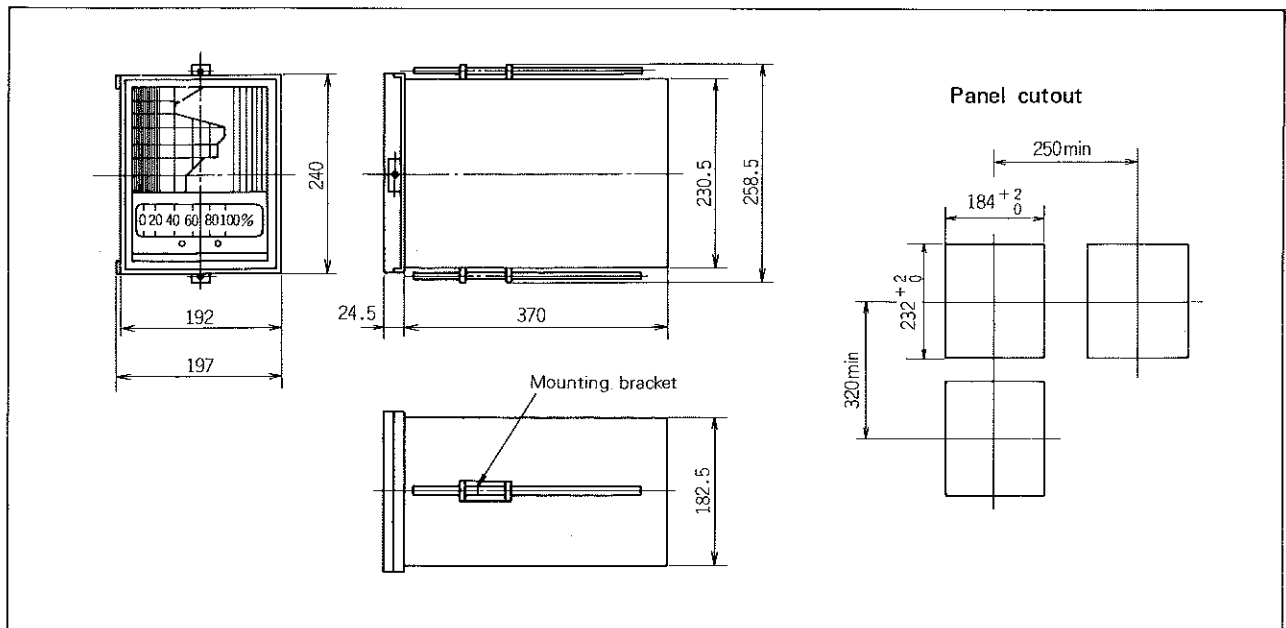
Panel mounting



OPERATING PRINCIPLE DIAGRAM



OUTLINE DIAGRAM (Unit:mm)



CONNECTION DIAGRAM

